



İMAJ TEKNİK
ELEKTRİK ELEKTRONİK MALZ. SAN. VE TİC. LTD. ŞTİ

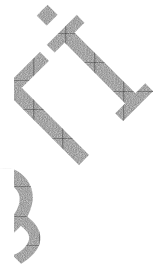


INSTANTANEOUS AND FUNCTION RELAYS

Latching relays 2 contacts / 1324



TEC
1324



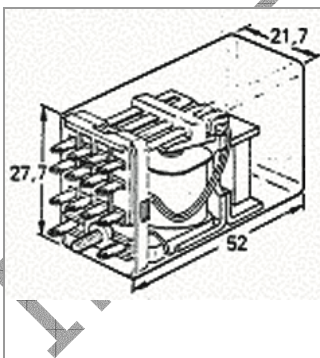
DESCRIPTION

Latching relay with magnetic memory - 2 CO contacts + 1 RT double cut-off.

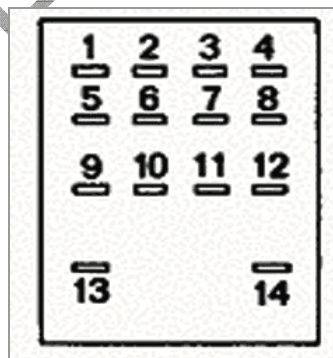
To be soldered on PCB.

Detailed table of coil resistance data is available in the technical support pages of this site or can be sent upon request.

Dimensions



Connection



TECHNICAL FEATURES

Function	latching
Presentation	under cover
Connection	to be soldered on PCB
Number of mechanical operations	10.000.000
Operating temperature	- 10 to + 55°C
Storage temperature	- 40°C to + 80°C
Climatic protection	reinforced climatic protection

Shock voltage	3 KV wave 1,2/50 μ s
Dielectric strength	Contact/contact : 1,5 KV - coil : 2 KV
Insulation resistance	> 1.000 MOhms (500 VDC new relay)
Weight	50 g.

COIL DATA

	Direct current	Alternative current
Min. nominal voltage DC	6 V	6 V
Min. nominal voltage AC	48 V	230 V
Operating range	-20/+10% of nominal voltage	
Power requirement	operate : 0,9 W - release : 0,6 W	

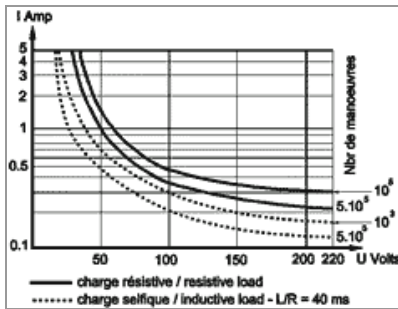
CONTACTS

Number of contacts	2 + 1 RT
Contacts material	silver alloy with gold flash
Max. load current	5 A per contact
Low power switching	100 mVA with min. voltage 1 V or I min 1 mA
Short-circuit load	100 A / 30 ms
Response time	DC < 12 ms - AC < 12 ms
Bounce time	< 6 ms

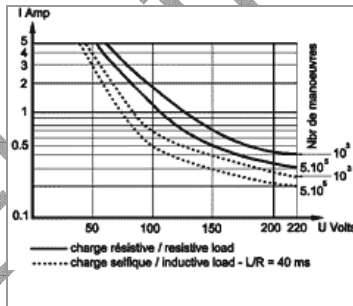
CONTACTS RATING

DIRECT CURRENT

connection on DC

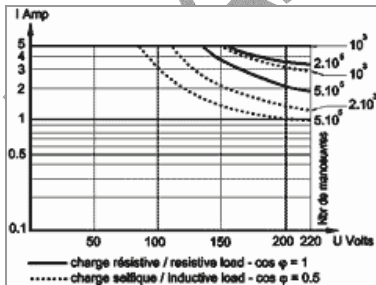


connection on DC - 2 RT



ALTERNATIVE CURRENT

connection on AC



VERSIONS

Many possibilities of contacts position, in AC and DC.

Contact us: İMAJTEKNİK LTD ŞTİ

www.imajteknik.com



İmaj Teknik Elektrik Elektronik San. ve Tic. Ltd. Şti.
EMEKYEMEZ MAH.TUTSAK SOK. NO: 16/13-14-15
KARAKOY/İSTANBUL
TURKEY

Telefon : +90 212 235 9535 / 36
Fax : +90 212 235 9537

www.imajteknik.com
www.imajteknik.com.tr